

# INSTALLATION INSTRUCTIONS

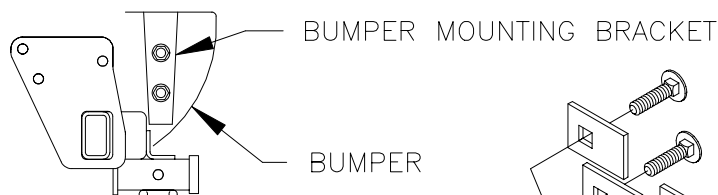
EQUIPMENT REQUIRED:

WIRING ACCESS LOCATION: SUV7

DRILL BITS:

HITCH REQUIRES 1/2" PIN &amp; CLIP

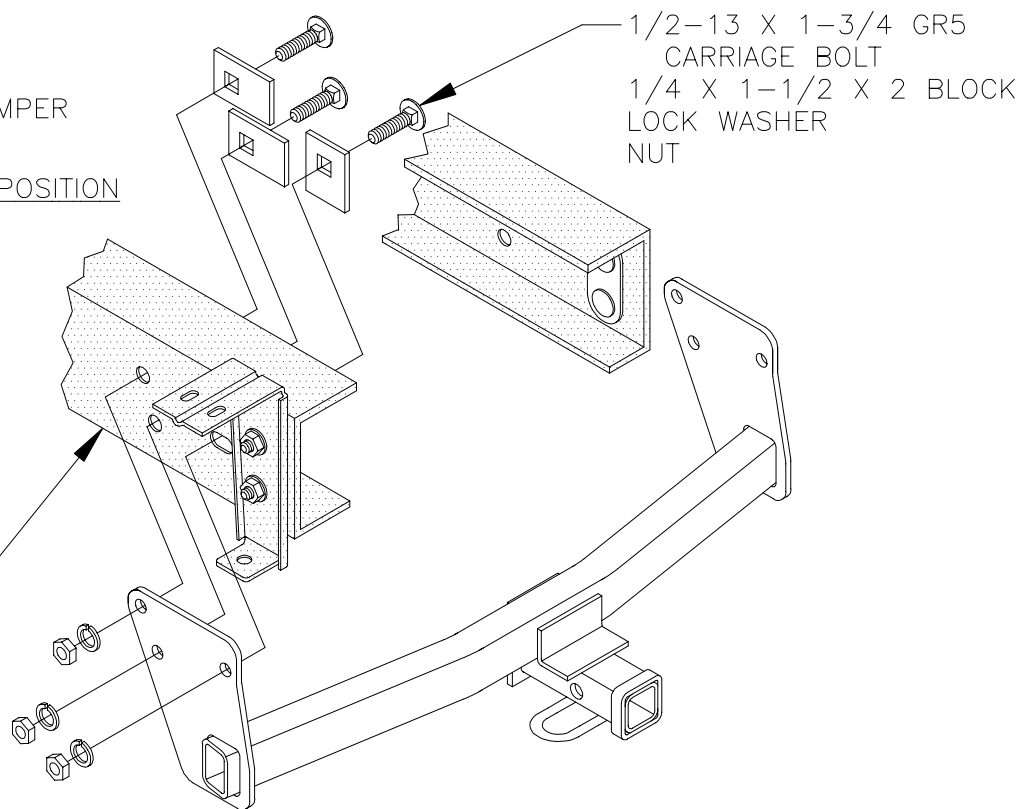
WRENCHES: (TIGHTEN ALL FASTENERS WITH TORQUE WRENCH) 7/8, 18mm



HITCH SHOWN IN PROPER POSITION

FASTENERS TYPICAL  
BOTH SIDES

VEHICLE FRAME



VEHICLE

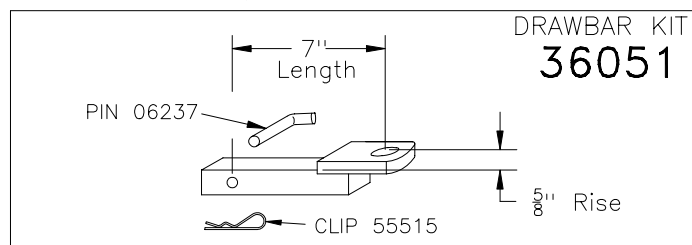
CHEVROLET BLAZER  
GMC JIMMY  
OLDSMOBILE BRAVADA  
GMC ENVOY

3500 LB MAX GROSS TRAILER WT  
300 LB MAX TONGUE WEIGHT  
DO NOT EXCEED TOWING VEHICLE RATINGS

NOTE: ON 98 AND NEWER MODELS, REMOVE FORWARD BUMPER BOLTS (4) AND RETURN TO VEHICLE OWNER.

1. LOOSEN SPARE TIRE (IF STORED UNDER VEHICLE) TO ALLOW MOVEMENT FRONT TO REAR.
2. RAISE HITCH INTO POSITION AND INSTALL THREE (3) 1/2-13 X 1-3/4 CARRIAGE BOLTS, BLOCKS, LOCK WASHERS AND NUTS AS SHOWN, EACH SIDE.  
NOTE: POSITION BLOCKS AS SHOWN ABOVE.
3. RE-TIGHTEN SPARE TIRE.

TIGHTEN 1/2 GR5 FASTENERS TO 75 LB.-FT.



USE ONLY THE DRAWBAR SHOWN FOR CORRECT BUMPER CLEARANCE AND HEIGHT.  
DRAWBAR MUST BE USED IN THE RISE POSITION ONLY.

THIS PRODUCT COMPLIES WITH SAFETY SPECIFICATIONS AND REQUIREMENTS FOR CONNECTING DEVICES AND TOWING SYSTEMS OF THE STATE OF NEW YORK, V.E.S.C. REGULATION V-5 AND SAE J684.

APPROX WEIGHT (LB.)

23.5

FASTENER KIT

01130-944

NOTE: Check hitch frequently, making sure all fasteners and ball are properly tightened. If hitch is removed, plug all holes in trunk pan or other body panels to prevent entry of water and exhaust fumes. A hitch or ball which has been damaged should be removed and replaced. Observe safety precautions when working beneath a vehicle and wear eye protection. Follow car maker's specs for maximum trailer weight and tongue weight. Do not cut access or attachment holes with a torch.

**TOWING PRODUCTS**  
Plymouth, Michigan