

INSTALLATION INSTRUCTIONS

EQUIPMENT REQUIRED:

WIRING ACCESS LOCATION: PC3, PC4

DRILL BITS: NONE

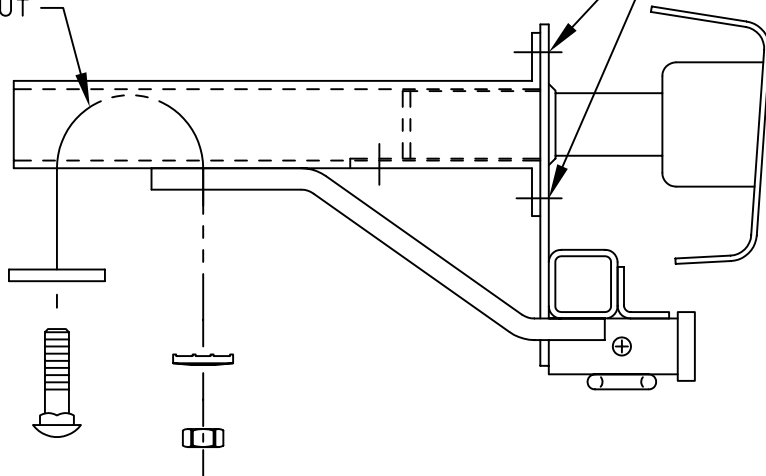
HITCH REQUIRES 1/2" PIN AND CLIP

WRENCHES: (TIGHTEN ALL FASTENERS WITH TORQUE WRENCH) 13mm, 7/8

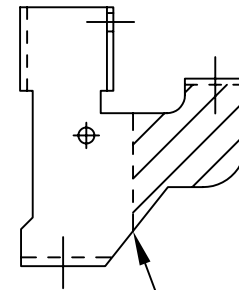
VEHICLE

BUICK CENTURY WAGON
CHEVROLET CELEBRITY WAGON
OLDSMOBILE CUTLESS CRUISER WGN.
PONTIAC 6000 WAGON

1/2 X 1-3/4 GR5 CARRIAGE BOLT
1/4 X 1-1/2 X BLOCK
TOOTHED WASHER
HEX NUT



M8 X 1.25 X 55mm CL9.8
NUT (EXISTING)



TRIM LINE

FIG. 1

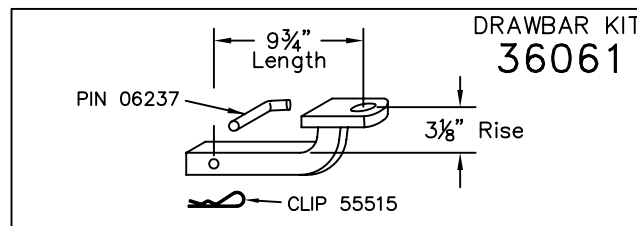
VIEW FROM REAR OF
VEHICLE, DRIVER'S SIDE

NOTE: VEHICLES WITH OPTIONAL LOAD LEVELING DEVICE (LOCATED ON DRIVER'S SIDE FRAME RAIL) REQUIRE TRIMMING OF COMPRESSOR MOUNTING BRACKET AS SHOWN IN FIGURE 1.

1. REMOVE LOWER & UPPER INBOARD E.A. BOLTS ON DRIVER'S SIDE. REMOVE LOWER & UPPER OUTBOARD E.A. BOLTS ON PASSENGER SIDE. RETURN FASTENERS TO VEHICLE OWNER.
2. REMOVE ALL BUT A THIN LAYER OF UNDERCOATING FROM ATTACHING SURFACES.
3. POSITION HITCH ON VEHICLE AS SHOWN ABOVE. FASTEN HITCH AT E.A. UNITS WITH M8 BOLT ASSEMBLIES THRU EXISTING NUTS, EACH SIDE.
4. FISHWIRE CARRIAGE BOLT AND 1/4 X 1-1/2 X 2 BLOCK THROUGH ACCESS HOLE (APPROXIMATELY 17" FORWARD OF REAR END OF FRAME) DOWN THROUGH FORWARD HITCH ATTACHMENT. FASTEN WITH CONICAL TOOTHED WASHER AND NUT, EACH SIDE.

TIGHTEN M8 CL9.8 FASTENERS TO 25 LB.-FT.

TIGHTEN 1/2 GR5 FASTENERS TO 75 LB.-FT.



USE ONLY THE DRAWBAR SHOWN FOR CORRECT BUMPER CLEARANCE AND HEIGHT.
DRAWBAR MUST BE USED IN THE RISE POSITION ONLY.

THIS PRODUCT COMPLIES WITH SAFETY SPECIFICATIONS AND REQUIREMENTS FOR CONNECTING DEVICES AND TOWING SYSTEMS OF THE STATE OF NEW YORK, V.E.S.C. REGULATION V-5 AND SAE J684.

APPROX WEIGHT (LB.)

38.2

FASTENER KIT

01130-456

NOTE: Check hitch frequently, making sure all fasteners and ball are properly tightened. If hitch is removed, plug all holes in trunk pan or other body panels to prevent entry of water and exhaust fumes. A hitch or ball which has been damaged should be removed and replaced. Observe safety precautions when working beneath a vehicle and wear eye protection. Follow car maker's specs for maximum trailer weight and tongue weight. Do not cut access or attachment holes with a torch.

TOWING PRODUCTS
Plymouth, Michigan