

STEP SIX - INSTALL LATCH PIN RELEASE HANDLE

Install the latch pin release handle (9) by inserting the handgrip end of the handle rod from inside the center section through the hole in the endplate. Align the handle loop and the hole in the tab on the end of the latch pin assembly, putting the handle loop on the right side of the tab and bolt together using the 3/8" x 3/4" bolt and lock nut. When properly attached, the center of the handle should be in line with the center of the pin assembly, and the bolt head should be on the loop side, and the nut on the tab side. Tighten the bolt.



STEP SEVEN - INSTALL SAFETY CHAIN BRACKETS

To install the safety chain brackets (8) it is necessary to drill four 1/2" holes through the truck bed floor. Drill the holes from beneath the truck, through the two holes located on each side **and furthest away from the round receiver tube in the center section.** This will locate the safety chain brackets (8) in the lowest point of the floor corrugation. Drop a U-bolt through each pair of holes from the topside of the truck bed floor. Place a spring and lock nut on each of the four legs. Tighten the lock nuts until 1/4" of thread extends through the lock nut.



STEP EIGHT - ENGAGE LATCH PIN

Retract the latch pin by pulling the handle all the way out until it stops and then rotating it clockwise. Place the Turnover Ball (10) in the hitch receiver. Engage the latch pin by rotating the handle counter clockwise. Be certain the latch pin passes through the holes in the Turnover Ball and fully engages through the hitch receiver. Finally, remove and lightly grease the four corners on the square base of the Turnover Ball.



B&W Trailer Hitches
1216 HWY 224 / PO Box 186
Humboldt, KS 66748
800.248.6564
620.473.3664
Fax:620.473.3766

NOTE: *We recommend reading instructions before beginning the installation.*

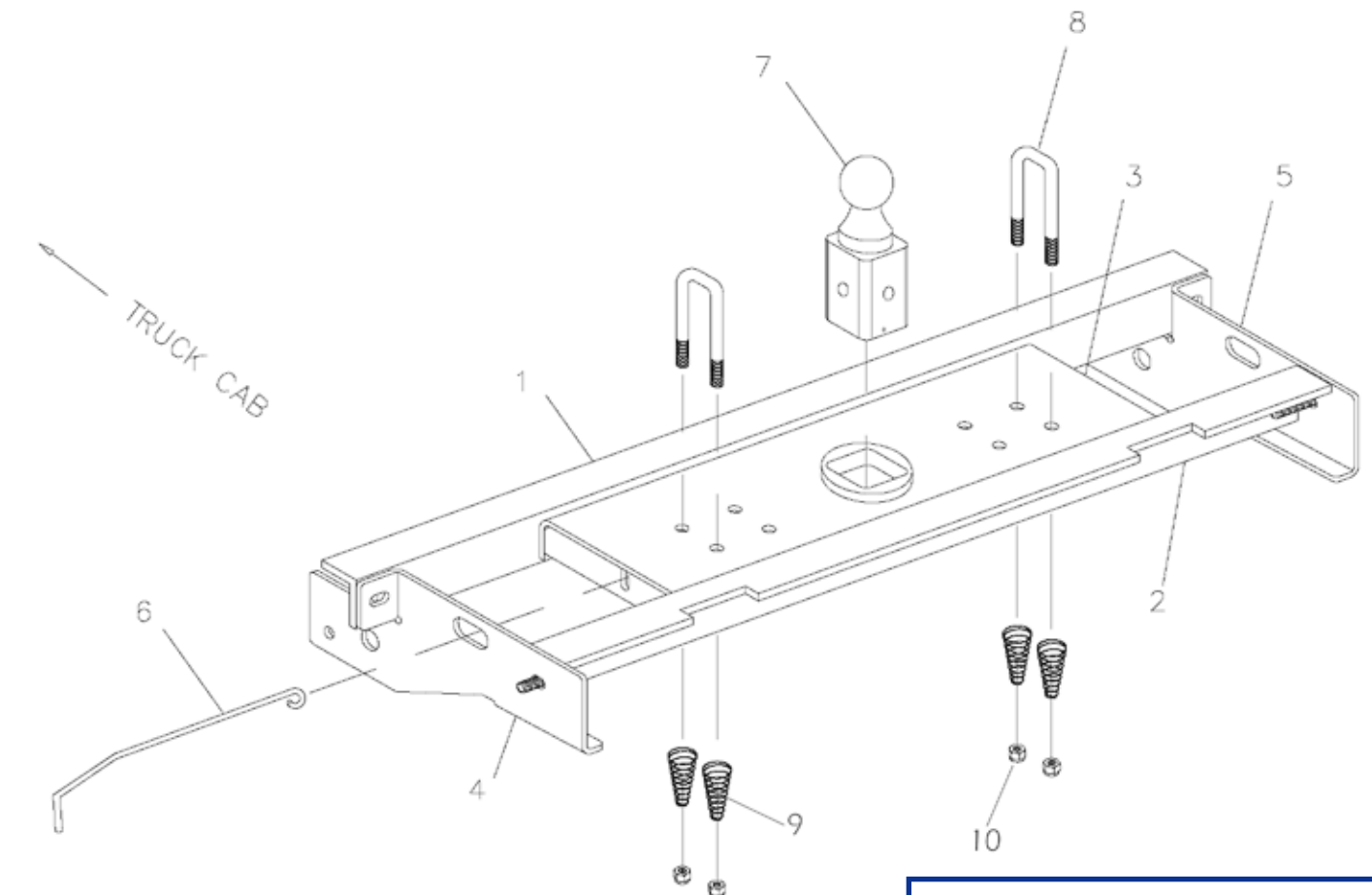
Turnover Ball™ Gooseneck Hitch Installation Instructions

Model 1104R

Call or Email us for Installation Support

hitches@turnoverball.com
www.turnoverball.com

2004-2008 FORD 1/2 TON F150
NEW BODY STYLE ONLY LONG AND SHORT BED
(2004 HERITAGE REQUIRES MODEL # 1197R)



Parts List

- 1) Front Cross Member
- 2) Rear Cross Member
- 3) Center Section
- 4) Driver's Side Sideplate
- 5) Passenger's Side Sideplate
- 6) Handle
- 7) Turnoverball
- 8) Safety U-Bolts
- 9) Springs
- 10) 1/2" Lock nut

Hardware Kit

- 9 - 1/2"-13 x 1 1/2" cap screws
- 15 - 1/2"- 13 CR8 Finish Nut
- 15 - 1/2" Lock Washers
- 13 - 1/2" Flat Washers
- 2 - 1/2" -13 x 2" U-Bolts
- 2 - Side Plate Insert

Safety Chain Kit

- 2 - 1/2" U-bolts
- 4 - 1/2" lock nuts
- 4 - Springs
- 1 - 3/8"x3/4" Bolt
- 1 - 3/8" Lock nut

BEFORE INSTALLING

OVERHEAD LIFTING DEVICE

An overhead-lifting device, such as chain falls, engine hoist, or cable come-a-long, can be used to lift the center section of the hitch in place. Lower a loop of rope or chain through the 4" hole in the truck bed floor and attach it to the latch pin in the round hitch receiver tube in the center section. Use the lifting device to raise the center section until the round hitch receiver tube that protrudes from the center section fits in the 4" hole in the truck bed floor. Maintaining upward pressure may facilitate fastening the crossmember to the center section, especially if the truck bed floor has been distorted downward from heavy use. If you use an overhead-lifting device, it should be disconnected before squaring the center section across the frame, installing the sideplates and torquing fasteners.

WARNING

Most trucks have FUEL LINES and/or BRAKE LINES and/or ELECTRICAL WIRES located along the frame rails where B&W Turnover Ball hitches install. Carefully examine the location of fuel lines, brake lines and electrical wires BEFORE INSTALLATION. Be certain you will not damage fuel lines, brake lines or electrical wires when positioning hitch components, drilling holes and tightening fasteners. The fuel tank vent, located on top of the gas tank, can be easily damaged during the installation of the hitch components. Care must be taken when positioning the front crossmember and center section components.

WARNING

ON SHORT BED TRUCKS, BEFORE INSTALLING THIS HITCH, CHECK FOR ADEQUATE TURNING CLEARANCE BETWEEN THE FRONT OF ALL OF YOUR TRAILERS AND THE TRUCK CAB.

WARNING

DO NOT INVERT THE BALL IN THE SOCKET WHEN CARRYING HEAVY LOADS ON 2 WHEEL DRIVE TRUCKS. THE BALL MAY HIT THE TOP OF THE DIFFERENTIAL. REMOVE THE BALL FROM THE SOCKET BEFORE LOADING. A PLUG FOR THE SOCKET IS AVAILABLE FROM B & W.

INSTALLATION INSTRUCTIONS

STEP ONE - REMOVE SPARE TIRE TO EASE INSTALLATION.



STEP TWO - MARKING AND CUTTING 4 INCH HOLE IN TRUCK BED FLOOR

Begin by verifying and measuring the correct hole location in the truck bed floor. Measure from the back end (tailgate end) of the truck bed floor by hooking a tape measure over the back of the truck box and mark the floor at the correct measurement. Next, center the location between the wheel wells. This will be the center point for the 4-inch hole. This location is critical to the correct installation of this hitch, so measure, mark and saw carefully. If the truck has a plastic bed liner, you may drill through both, but it is more difficult to accurately locate the midpoint between the fender wheel wells, and to be sure that the bed liner does not move while sawing the hole. Make a 4-inch hole at this location using a 4-inch hole saw, or by marking a 4-inch circle and cutting it out with a saber saw equipped with a metal cutting blade.



TIP: B&W uses a 3/4" piece of plywood as a drilling guide to prevent the hole saw from moving while drilling the 4" hole in the truck bed.

Truck Type	Ball Location
Short & Long Beds	45 1/8"

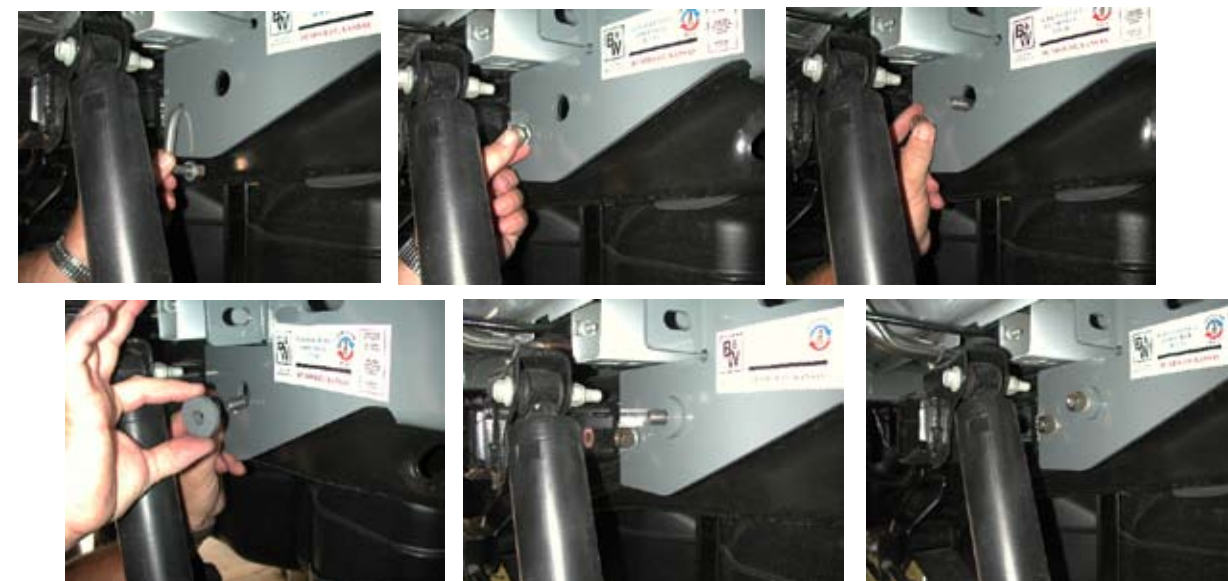
STEP THREE - CROSS MEMBER INSTALLATION

Select the rear crossmember (**2**) that is notched on one side. With the long (**2 1/2"**) side of the angle iron pointing down and the short (**2"**) side with the notches facing the rear of the truck, position it across the top of the frame rails, between the bed and frame, by pushing it through the opening in the wheel well on the driver's side of the truck. Make certain that the notches fit tightly against the **truck bed** crossmember on the back of the truck. Select the second crossmember (**1**) without notches and place it between the bed and frame, by pushing it through the opening in the wheel well on the driver's side of the truck. With the two crossmembers approximately parallel, position them about **9"** apart, spaced in front and behind the hole in the truck bed floor and hanging over the same distance on each side of the frame rails.



STEP FOUR

With the latch pin mechanism on the driver's side of the truck, raise the center section(3) of the hitch into position between the crossmembers from beneath the truck. The round tube hitch receiver that protrudes from the center section must fit through the hole in the truck bed floor. Fasten the center section to the crossmembers using seven of the 1/2" x 1 1/2" bolts. Start these bolts through the holes in the crossmember and place a flat washer, a lock washer and nut on each bolt **DO NOT fully tighten at this time.**



STEP FIVE- INSTALL SIDEPLATES

Install the sideplates by placing the top back hole over the stud on the rear cross member with a flat washer, lock washer, and nut, then bolt the front flange of the sideplate to the front cross member with a bolt, flat washer, lock washer, and nut **DO NOT fully tighten at this time.** The two holes at the front of the sideplates should align with two holes in the frame behind the shock and shock mount. Next place a flat washer, lock washer, and nut on one end of the 2" u-bolt. (see fig. 1) Place the other end into the smaller hole at the front of the sideplate and twist through the frame until the threaded end is protruding out the other hole of the sideplate (as shown in pictures above). Next place the sideplate insert over this end, being sure that the straight edge of the insert lines up with the straight edge of the hole of the sideplate and is pushed into the frame all the way. (The insert will not set flush against the sideplate when tightened if it is not properly aligned.) Then place a lock washer and nut on the u-bolt and tighten both ends of the u-bolt to 45 ft. lbs. Repeat for other side. Next tighten the seven center section bolts to 90 ft. lbs. Then tighten the two bolts that fasten the sideplates to the cross members on each side to 90 ft. lbs.

